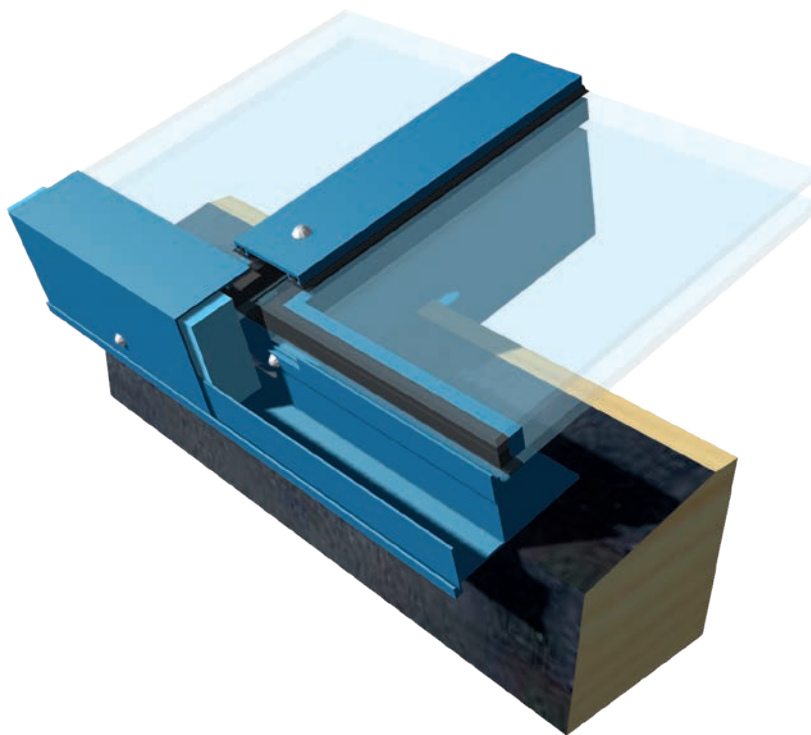




# Kingspan BA-Economy Glass roof profile system Data Sheet

Glass roof profile system with four-sided support



Daylighting Solutions  
Natural Ventilation Solutions  
Smoke Management Solutions  
Service & Maintenance  
Building Automation

# Application

## General

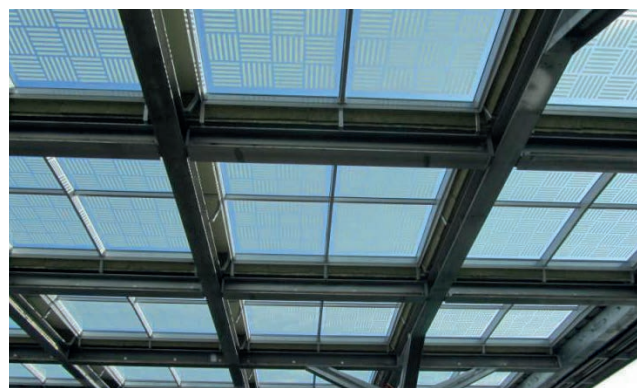
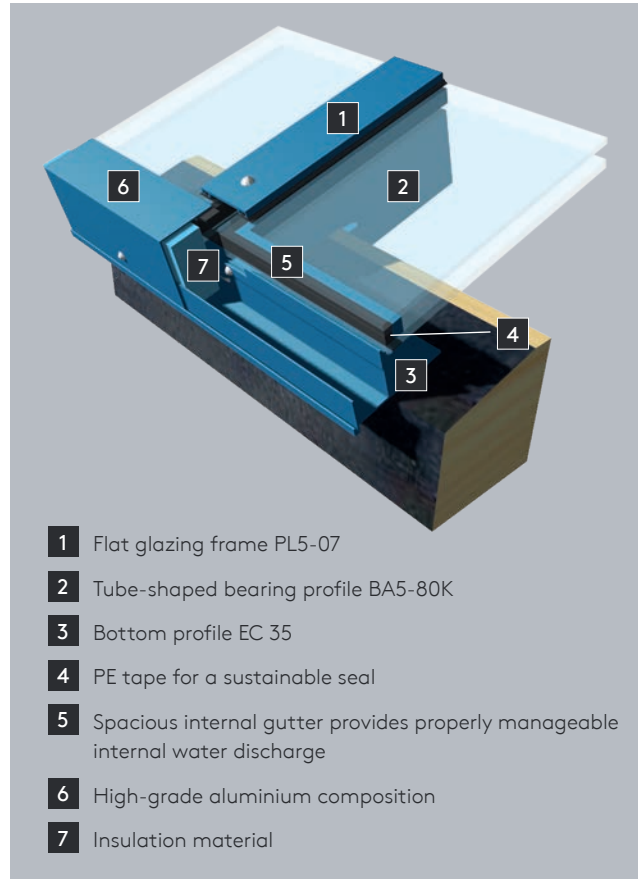
This system has excellent air and water tightness. The bottom profile consists of an extruded profile sealed with insulation and a drip rail. The bearing profile is tapered. This enables the drip rail to be made extremely small.

## Application

The Economy system is applicable both as an insulated and an uninsulated lean-to roof or pitched roof at inclinations larger than 10° and with centre-to-centre sizes up to 1200 mm.

## Aesthetics

- Profile width of both 50 mm (NA5 rods) and 60 mm (BA6 rods) for the main support direction
- Profile width 60 mm (BA6D rods) for transverse support direction
- Tube profiles and I-profiles are applicable
- Various types of glazing frames 50 mm and 60 mm wide
- Stylish lines on the outside



# Technical Specifications

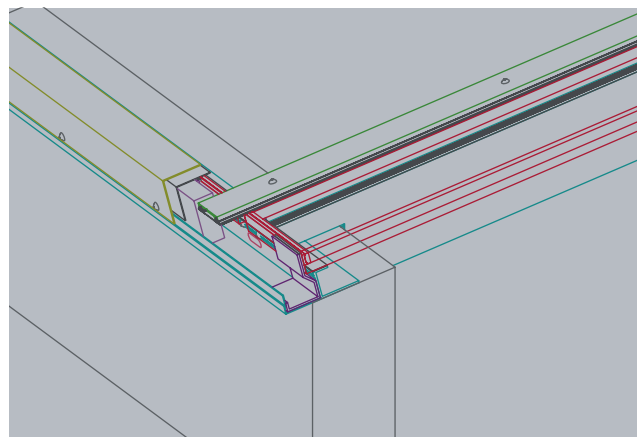
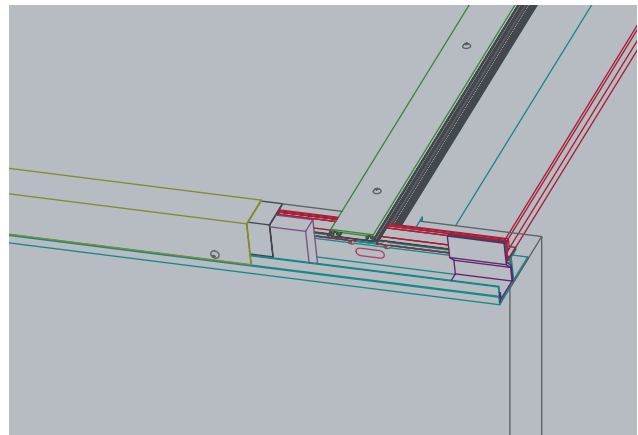
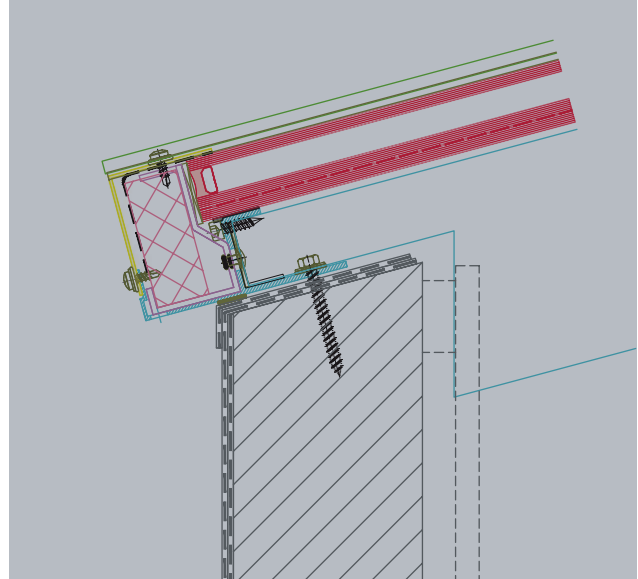
## Techniques

- The glass thickness is determined per situation using Kingspan Light+Air glass and rod program
- Air permeability: EN 12207: class 4
- Water tightness: EN 12208: class E1050
- Aluminium profiles: EN-AW 6060 (AlMg Si 0.5)
- Aluminium sheeting: EN-AW 5005 (AlMg1; anodised)  
EN-AW 5754 (AlMg3; power coated, mill-finished)
- Prevention of thermal bridging
- EPDM glazing rubber 60° shore
- Surface treatment: anodise or enamel
- SS fixing materials
- Various (smoke)ventilation systems can be integrated in this construction

## Cross sections

The cross-sections shown alongside are just some examples in 2D and 3D.

For specific details we refer you to our website.



---

## INTERNATIONAL

**Kingspan Light + Air**

E: [kla.international@kingspan.com](mailto:kla.international@kingspan.com)

[www.kingspanlightandairinternational.com](http://www.kingspanlightandairinternational.com)

For the product offering in other markets please contact your local sales representative or visit [www.kingspanlightandair.com](http://www.kingspanlightandair.com)

Care has been taken to ensure that the contents of this publication are accurate, but Kingspan Limited and its subsidiary companies do not accept responsibility for errors or for information that is found to be misleading. Suggestions for, or description of, the end use or application of products or methods of working are for information only and Kingspan Limited and its subsidiaries accept no liability in respect thereof.