

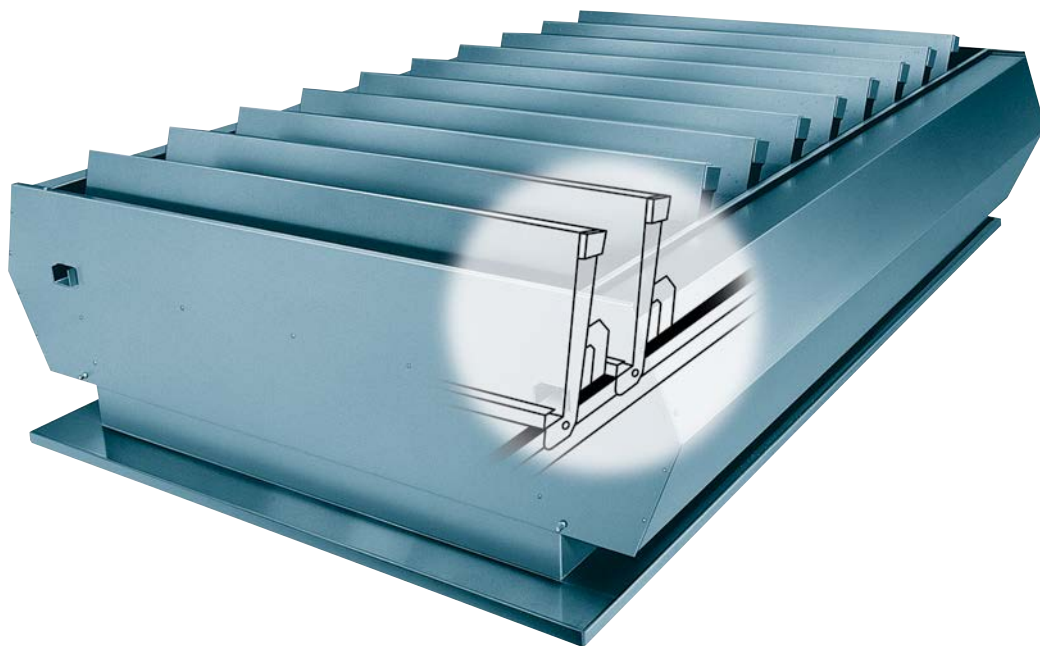


Kingspan Eura-R

Weather-independent louvred ventilator

Data Sheet

Ideal for all-weather day-to-day ventilation in combination with smoke and heat exhaust



Daylighting Solutions
Natural Ventilation Solutions
Smoke Management Solutions
Service & Maintenance
Building Automation

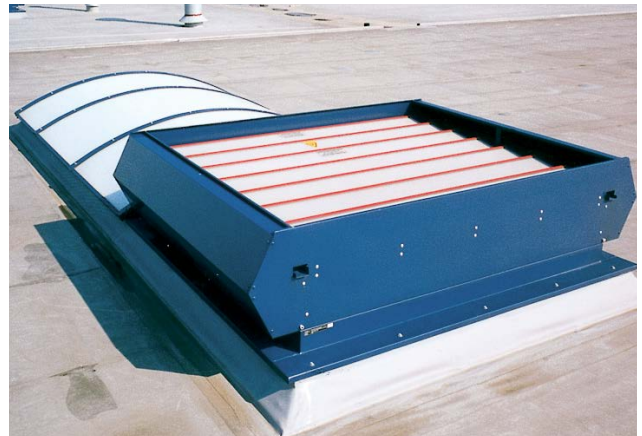
Application

Kingspan Eura-R is a variation of the standard Eura and is designed to incorporate rainproof side louvres. The Eura-R is therefore ideal for all-weather day-to-day ventilation as well as smoke & heat exhaust. The structure has integrated rain gutters for controlled water drainage. Like the Eura this product can be customised with a variety of base and flange designs.

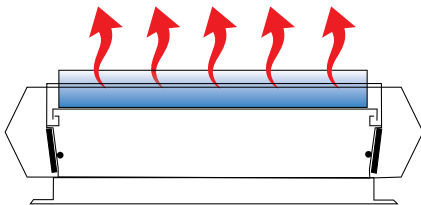
Applications: atria, shopping centres, industrial buildings, train stations and ports.

Materials

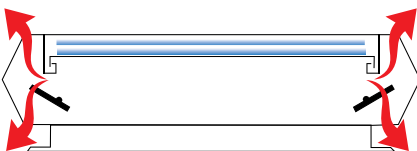
Aluminium; tempered, sea water- and corrosion-resistant (EN AW 5754). Corrosion-resistant bearings. Seal incorporating a weather-resistant sealing strip longitudinally and energy strips. The seal is applied in such a manner that there is no risk of freezing and offers a high level of draft-proof performance. The aluminium is completely corrosion-resistant and is supplied untreated as standard. If desired the Eura-R can be supplied in an anodised or powder-coated design (in any RAL colour). The Eura-R can also be designed to incorporate noise-damping wings and bird or insect mesh.



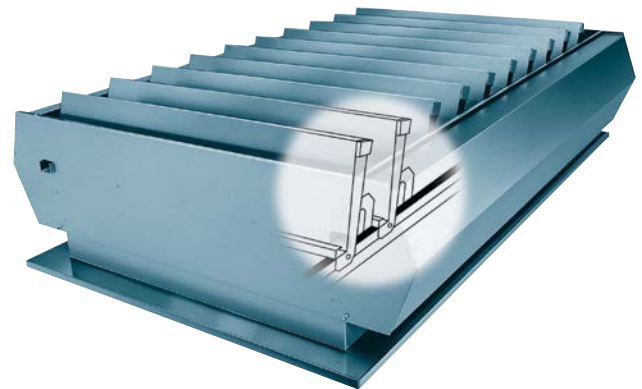
In dry weather



In wet weather



In cold weather



Technical Specifications

Controls top louvres

Natural ventilation:

- P Single-action compressed air operation
- P2 Double-action compressed air operation
- M Motor operation (24 Vdc of 230 Vac)
- K Cable operation

Fire ventilation according to EN 12101-2:

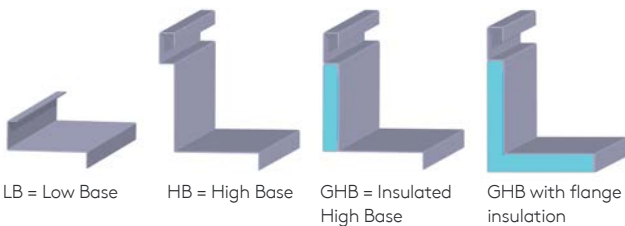
- PB Single-action compressed air operation with fire function
- P2B Double-action compressed air operation with fire function
- PB-FS Single-action compressed air operation with fire function failsafe (up to 13 louvres)
- PB-M Single-action compressed air operation with fire function and motor operation
- PB-10 bar Single-action compressed air operation with fire function activated at ≥ 10 bar
- M24V Motor operation 24V

Controls side louvres

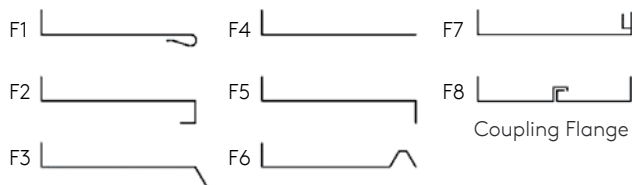
Natural ventilation:

- P Single-action compressed air operation
- M Motor operation (24 Vdc of 230 Vac)
- K Cable operation

Base



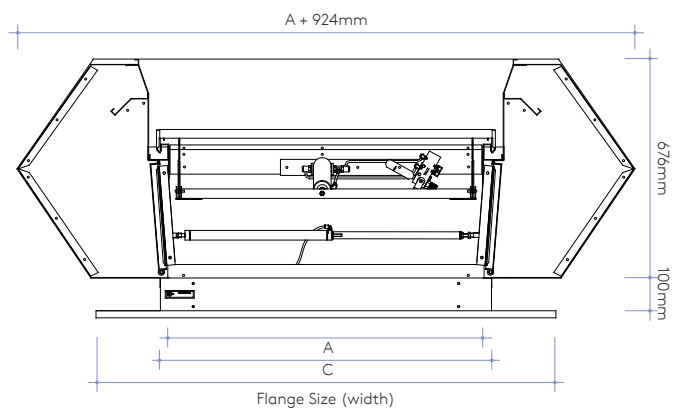
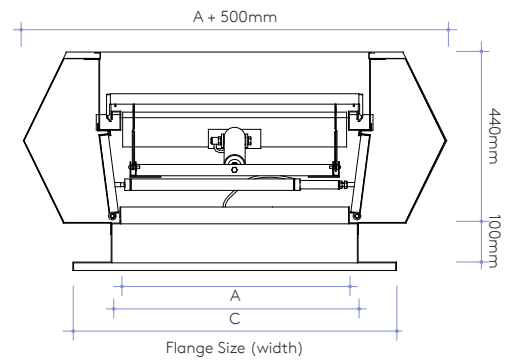
Flanges



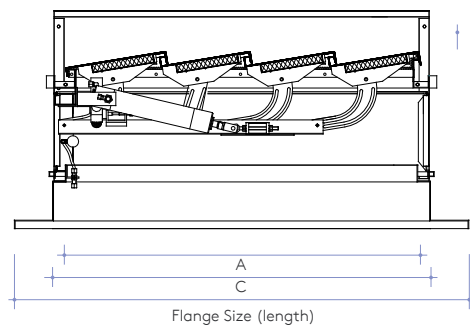
Regulations

The system has been tested and is certified in accordance with EN 12101-2.

Cross Section (without and with elevated side louvres)

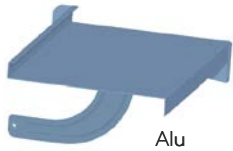


Longitudinal Section



Technical Specifications

Louvre types



Alu



Alu-iso



Sandwich 16mm



Isolux 8 / 16mm



Single glass 3.3.2

Dimensions ventilator (mm)

Type LB*	Width (mm)	Number of louvres														
		3	4	5	6	7	8	9	10	11	12	13	14	15	16	17
		Length (mm)														
060	600															
120	1200	700	920	1140	1360	1580	1800	2020	2240	2460	2680	2900	3120	3340	3560	3780
180	1800															
GHB	Width	Length (mm)														
060	600															
120	1200	720	940	1160	1380	1600	1820	2040	2260	2480	2700	2920	3140	3360	3580	3800
180	1800															
HB	Width	Length (mm)														
060	640															
120	1240	760	980	1200	1420	1640	1860	2080	2300	2520	2740	2960	3180	3400	3620	3840
180	1840															

* LB 14 through 17 louvres for assessment: applicability depending on installation situation. Intermediate width dimensions possible.

Aerodynamic surface top louvres (m²)

Type		Number of louvres														
		3	4	5	6	7	8	9	10	11	12	13	14	15	16	17
060	LB	0.26	0.35	0.43	0.52	0.60	0.68	0.76	0.84	0.93	1.01	1.10	1.18	1.26	1.35	1.45
	GHB	0.27	0.36	0.44	0.52	0.60	0.69	0.77	0.85	0.94	1.02	1.10	1.19	1.27	1.35	1.46
	HB	0.31	0.40	0.48	0.57	0.66	0.75	0.84	0.93	1.02	1.10	1.19	1.28	1.37	1.46	1.57
120	LB	0.53	0.69	0.86	1.03	1.20	1.36	1.52	1.69	1.89	2.06	2.23	2.39	2.57	2.73	2.91
	GHB	0.54	0.71	0.88	1.04	1.21	1.38	1.54	1.71	1.90	2.07	2.24	2.41	2.58	2.75	2.92
	HB	0.59	0.77	0.94	1.11	1.28	1.45	1.62	1.80	2.00	2.17	2.35	2.52	2.70	2.87	3.05
180	LB	0.79	1.05	1.29	1.54	1.79	2.04	2.33	2.58	2.84	3.08	3.34	3.60	3.85	4.10	4.42
	GHB	0.82	1.07	1.32	1.56	1.81	2.06	2.35	2.60	2.86	3.11	3.36	3.62	3.87	4.12	4.45
	HB	0.88	1.14	1.39	1.65	1.90	2.16	2.45	2.71	2.97	3.23	3.49	3.74	4.00	4.26	4.59

Indicated C_p values at upstand height 350 mm.

Technical Specifications

Geometric surface side louvres (m²)

Type		Number of louvres														
		3	4	5	6	7	8	9	10	11	12	13	14	15	16	17
normal	LB/HB/GHB	0.27	0.35	0.43	0.52	0.60	0.68	0.76	0.85	0.93	1.01	1.09	1.17	1.26	1.34	1.42
elevated	LB/HB/GHB	0.45	0.59	0.73	0.87	1.01	1.15	1.29	1.42	1.56	1.70	1.84	1.98	2.12	2.26	2.39

Weight per ventilator (kg)

Type	Number of louvres															
	3	4	5	6	7	8	9	10	11	12	13	14	15	16	17	
060	30	36	42	46	50	53	57	61	65	68	71	76	80	84	88	
120	45	52	59	64	71	75	82	87	94	98	104	109	115	120	126	
180	58	66	74	82	90	97	105	113	121	128	134	143	151	160	168	

Example type indication: Eura-R 180-10/GHB/M24V/F5 means: Eura-R louvred ventilator, width 1800 mm, length 2260 mm (10 louvres); an isolated high base; 24V motor operation, F5 flange.

Project imagery



INTERNATIONAL

Kingspan Light + Air

E: kla.international@kingspan.com

www.kingspanlightandairinternational.com

For the product offering in other markets please
contact your local sales representative or visit
www.kingspanlightandair.com

Care has been taken to ensure that the contents of this publication are accurate, but Kingspan Limited and its subsidiary companies do not accept responsibility for errors or for information that is found to be misleading. Suggestions for, or description of, the end use or application of products or methods of working are for information only and Kingspan Limited and its subsidiaries accept no liability in respect thereof.