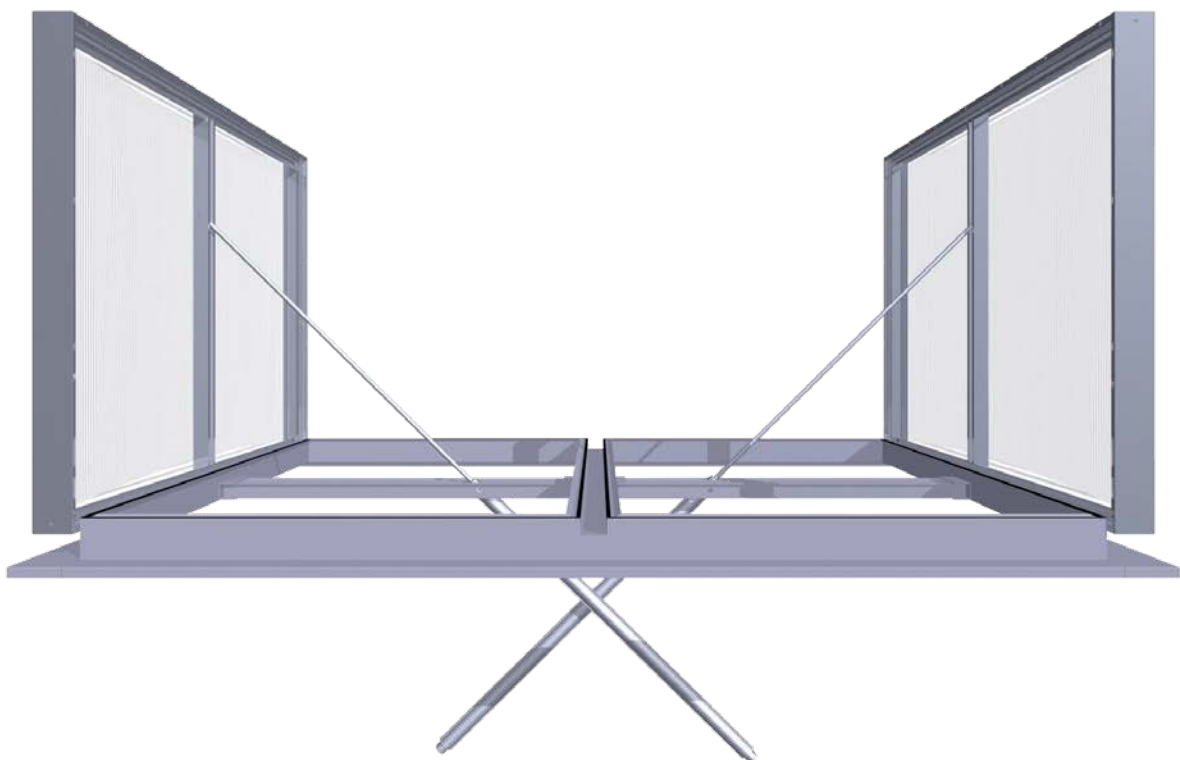




Kingspan Fumetica (Day-Lite Kapture) Double flap ventilator Data Sheet

Double flap smoke and heat exhaust ventilator with large extraction capacity



Daylighting Solutions
Natural Ventilation Solutions
Smoke Management Solutions
Service & Maintenance
Building Automation

Application

Kingspan Fumetica is an EN 12101-2 certified double flap system suitable for the extraction of smoke and heat, daily ventilation and use as a skylight. Its large dimensions, a geometric surface area up to 7.5 m², makes the Fumetica ideally suited to the effective extraction of significant quantities of (polluted) hot air and smoke. A sophisticated production method enables this flap ventilator, which has fall prevention feature, to be manufactured in any desired dimensions and for every flat build-in application.

Area of application: particularly suitable for distribution centres, storage facilities, production environments and industries where it is important that the product is free of silicones or other harmful substances.

High performance for a competitive price

Fumetica offers a functional solution, whereby reliability, price and guaranteed performance go hand in hand. You can completely rely on the Fumetica for a healthy and (fire) safe indoor climate!

Day-Lite Kapture: high performance prismatic skylights

The Fumetica is available in different base types, with pneumatic or electric controls, and (un)insulated aluminum or transparent flaps or Day-Lite Kapture high performance prismatic skylights for maximum daylight exposure and diffusion of natural light.



Technical Specifications

Specifications Fumetica - EN 12101-2 certified

										Fumetica (un)insulated			
										Weight base and flap in kg			
Type	Throat size Fumetica width x length (mm)	Geometric surface (A _g) in m ²	Without upstand		With upstand h=350 mm		With conical upstand h=350 mm ¹⁾		Uninsulated aluminium	Insulated aluminium	Transparent multi-walled polycarbonate Isolux	Prismatic skylight Day-Lite Kapture	
			C _w -value	A ₂ -value in m ²	C _w -value	A ₂ -value in m ²	C _w -value	A ₂ -value in m ²					
Kingspan Fumetica													
1010	1000 x 1000	1.00	0.52	0.52	0.51	0.51	0.36	0.52	29	32	26	-	
1015	1000 x 1500	1.50	0.56	0.84	0.55	0.83	0.43	0.88	35	40	31	-	
1020	1000 x 2000	2.00	0.58	1.16	0.57	1.14	0.46	1.21	42	48	37	-	
1025	1000 x 2500	2.50	0.59	1.48	0.59	1.48	0.48	1.56	48	56	42	-	
1030	1000 x 3000	3.00	0.60	1.80	0.60	1.80	0.50	1.92	55	65	47	-	
1510	1500 x 1000	1.50	0.56	0.84	0.55	0.83	0.43	0.88	35	40	31	-	
1515	1500 x 1500	2.25	0.60	1.35	0.60	1.35	0.50	1.45	42	50	37	-	
1520	1500 x 2000	3.00	0.62	1.86	0.62	1.86	0.54	2.02	50	59	43	-	
1525	1500 x 2500	3.75	0.63	2.36	0.63	2.36	0.56	2.57	57	69	49	-	
1530	1500 x 3000	4.50	0.64	2.88	0.64	2.88	0.58	3.16	64	79	55	-	
2010	2000 x 1000	2.00	0.58	1.16	0.57	1.14	0.46	1.21	40	47	36	-	
2015	2000 x 1500	3.00	0.62	1.86	0.62	1.86	0.54	2.02	49	59	42	-	
2020	2000 x 2000	4.00	0.64	2.56	0.64	2.56	0.58	2.81	57	70	49	-	
2025	2000 x 2500	5.00	0.65	3.25	0.65	3.25	0.60	3.56	66	82	56	-	
2030	2000 x 3000	6.00	0.66	3.96	0.66	3.96	0.62	4.36	74	94	62	-	
2510	2500 x 1000	2.50	0.59	1.48	0.59	1.48	0.48	1.56	46	54	40	-	
2515	2500 x 1500	3.75	0.63	2.36	0.63	2.36	0.56	2.57	55	68	48	-	
2520	2500 x 2000	5.00	0.65	3.25	0.65	3.25	0.60	3.56	65	81	55	-	
2525	2500 x 2500	6.25	0.66	4.13	0.67	4.19	0.63	4.59	74	95	62	-	
2530	2500 x 3000	7.50	0.67	5.03	0.68	5.10	0.65	5.62	84	108	70	-	
Kingspan Fumetica Day-Lite Kapture													
1520	1500 x 2000	3.00	0.61	1.83	0.61	1.83	0.55	2.06	-	-	-	59	
1525	1500 x 2500	3.75	0.63	2.36	0.62	2.33	0.58	2.66	-	-	-	69	
1530	1500 x 3000	4.50	0.64	2.88	0.63	2.84	0.60	3.26	-	-	-	79	
2030	2000 x 3000	6.00	0.66	3.96	0.65	3.90	0.65	4.58	-	-	-	94	
2530	2500 x 3000	7.50	0.67	5.03	0.67	5.03	0.68	5.88	-	-	-	108	

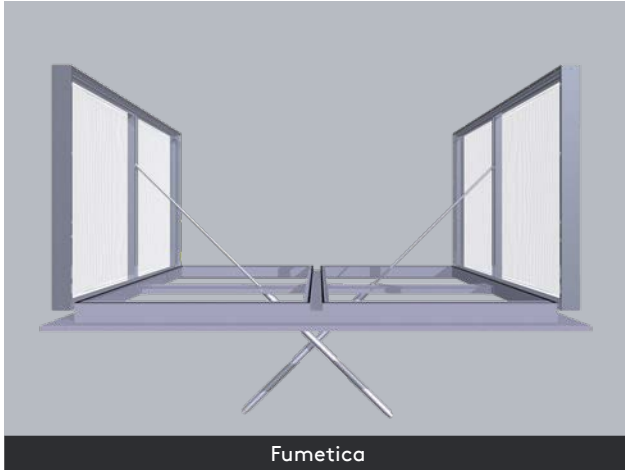
All dimensions of type 1010 to 2530 are available as standard, intermediate dimensions on request (with the exception of Fumetica Day-Lite Kapture). C_w values of the Fumetica are tested in combination with a wind baffle. The height of the wind baffle varies per dimension. This can change according to the build-in situation. Wind baffles for Fumetica Day-Lite Kapture are compulsory for smoke and heat application.

A₂ = C_w x geometric surface (A_g)

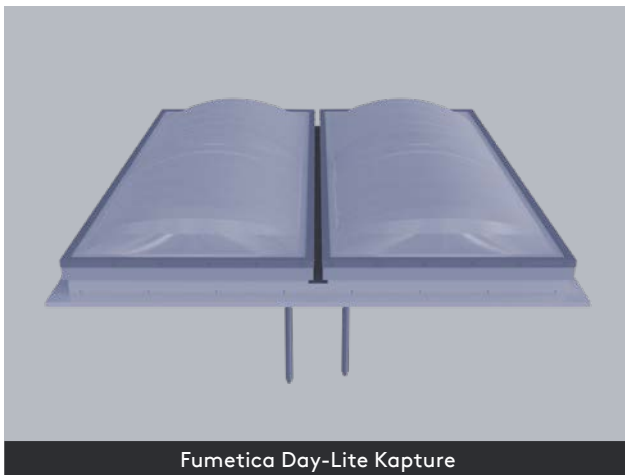
¹⁾ Geometric surface in combination with conical upstand = throat size Fumetica + 200 mm

Technical Specifications

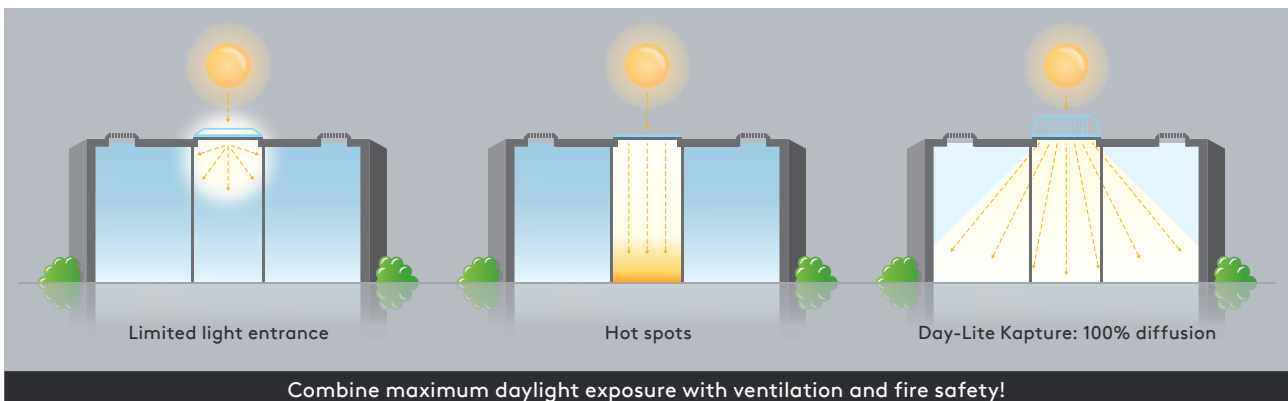
Versions



- Base: uninsulated or insulated aluminium 30 mm
- Flaps at an inclination of 0°:
 - uninsulated
 - insulated aluminium 20 mm
 - Isolux 16 mm clear/opal
- Significant flexibility in dimensions and flange type
- $U = 1.4 - 5.6 \text{ W/m}^2\text{K}$



- Base: uninsulated or insulated aluminium 30 mm
- Flaps at an inclination of 0°:
 - High prismatic skylight (choice of 1 or 2 sides)
 - Other flap side supplemented with uninsulated / insulated aluminium 20 mm / Isolux 16 mm clear / opal
- Available in 5 sizes (see table)
- $U = 1.8 - 3.3 \text{ W/m}^2\text{K}$



Technical Specifications

Material

Base and flanges: sea water and corrosion resistant EN AW 5754 (AlMg3) aluminium sheet material. Choice of uninsulated base or 30 mm insulated base.

Seal: covered all round with PE tape, which prevents freezing in position and guarantees high air density.

Hinges: stainless steel.

Flaps: uninsulated or 20 mm insulated aluminium, clear or opal multi-walled polycarbonate filling 16 mm, Day-Lite Kapture high performance prismatic skylights.

Finish: mill finished, coated in a standard RAL colour or anodised (limited sizes).

Operation

Natural ventilation:

P2 double-acting compressed air operation

M motor operation

Fire ventilation according to EN 12101-2:

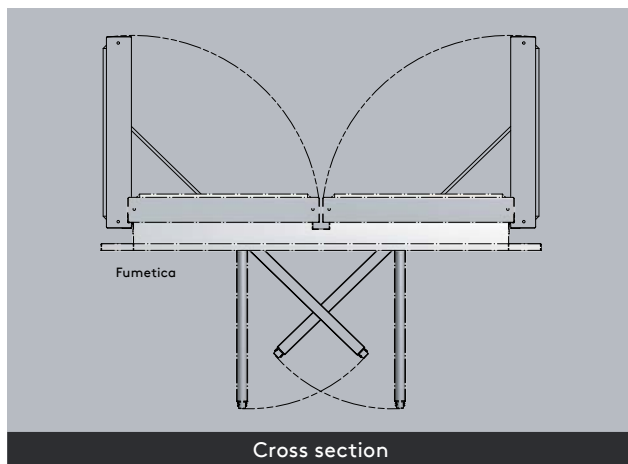
P2B double-acting compressed air operation with fire function

PB-FS single-acting compressed air operation with fire function fail safe

M motor operation

Accessories

- Bird or insect screen
- Insulated flanges
- Fall-through safety mesh
- Lifting eyes



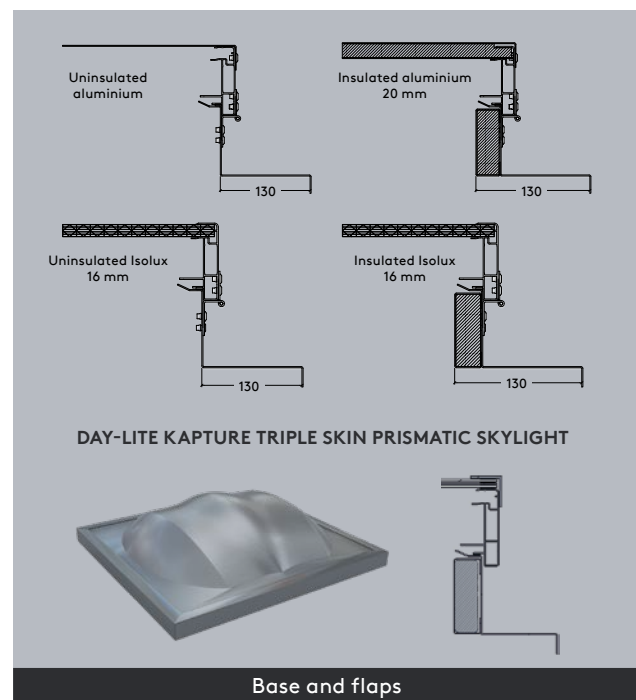
Test results ¹⁾

		EN 12101-2	
		FUMETICA	FUMETICA DAY-LITE KAPTURE
Fire & reliability test / WL		B300, Re300, WL1500	B300, Re300, WL1500
OPERATION	Type P2B	SL800, T(00) SL500, T(-15)	SL750, T(00) SL500, T(-15)
	Type M24V:	Isolux flap:	SL750, T(00) SL500, T(-15)
		Aluminium flap:	SL750, T(00) SL500, T(-15)
Type PBFs:	SL500, T(00) SL250, T(-15)	SL500, T(00) SL250, T(-15)	
OTHER SPECIFICATIONS			
U value system = 1.4 - 5.6 W/m ² K according to EN 10077-2 (depending on dimensions and version)			
Air permeability: EN 1026: 600 Pa, EN 12207: class 2			
Watertightness: EN 1027: 600 Pa, EN 12208: class 9A			
Resistance to varying wind loads: class C1, 200 Pa (= P2) deflection < 1/300 in accordance with EN 12210 / EN 12211			
In closed position: fall-through safety / impact resistance: SB1200 (with the exception of Day-Lite Kapture)			

¹⁾ WL / SL is based on maximum dimension type 2530. If type < 2530 higher WL / SL are possible

Recyclable

The aluminium that is used for the production of the Kingspan Fumetica consists of 80% recycled aluminium. Recycling aluminium produces 60 to 80% less CO₂ emissions than the production of primary aluminium.



INTERNATIONAL

Kingspan Light + Air

E: kla.international@kingspan.com

www.kingspanlightandairinternational.com

For the product offering in other markets please contact your local sales representative or visit www.kingspanlightandair.com

Care has been taken to ensure that the contents of this publication are accurate, but Kingspan Limited and its subsidiary companies do not accept responsibility for errors or for information that is found to be misleading. Suggestions for, or description of, the end use or application of products or methods of working are for information only and Kingspan Limited and its subsidiaries accept no liability in respect thereof.

Kingspan_Fumetica-DayLite Kapture_Datasheet_EN-INT

01/2019

