

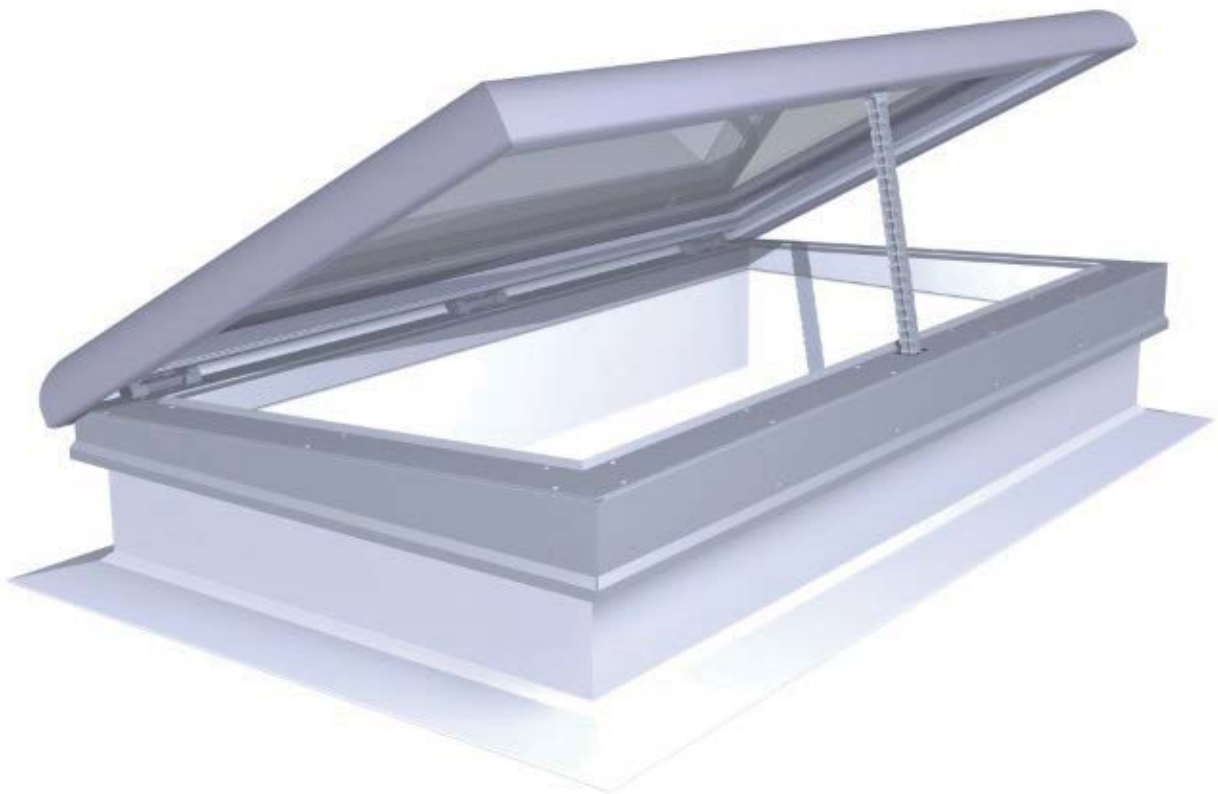


# Kingspan Greenlite

## Flat glass rooflight

### Data Sheet

Sustainable flat glass rooflight in double or triple glazing



Daylighting Solutions  
Natural Ventilation Solutions  
Smoke Management Solutions  
Service & Maintenance  
Building Automation

# Application

## Highly energy efficient rooflight

Sustainability was key in the development of the Greenlite. The glass rooflight has a fully thermally separated system with various coldflow blocks. This system provides a uniform heat flow spread. The chance of condensation is therefore minimal under normal circumstances.

## Daylight system of the future

Sustainable, energy efficient and transparent. Besides allowing daylight ingress, the Greenlite glass rooflight also makes an effective contribution towards daily ventilation.

The Greenlite triple version thereby delivers, with a U-value of  $0.52 \text{ W/m}^2\text{K}$ , the highest performance thanks to a triple-wall structure and glazing.

## Made to measure, suitable for newbuild and renovation projects

Greenlite combines a high insulation value with excellent transparency. The glass rooflight has a pitch of  $3^\circ$  and is available in any desired dimensions and flange size. Always ensuring a perfect fit to both existing and new substructures. Also, the Greenlite's modern design is pleasing to the eye.

## Superb Aesthetics

Greenlite leaves the competition behind, with an elegant blend of high quality appearance and high technology functionality, with a competitive price from a trusted brand.



# Technical Specifications

## Versions

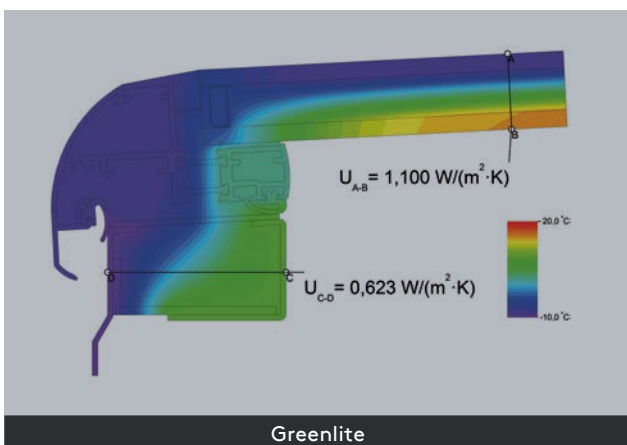


- High insulation value, air & watertightness
- High transparency
- Excellent visual comfort level
- Ordered to size
- Flexible flange size for any support width

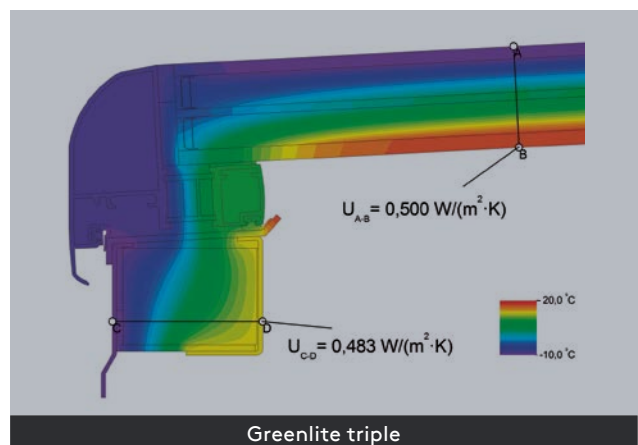


- + Suitable for daily ventilation
- + Large opening height: 300 mm
- + Motor controls 230V
- + Including remote control
- + Various options available

## Double / triple glazing



- Twin-wall structure
- Double glazing  $U = 1.1 \text{ W}/\text{m}^2\text{K}$
- Total U-value =  $0.97 - 1.02 \text{ W}/\text{m}^2\text{K}$



- Triple-wall structure
- Triple glazing  $U = 0.5 \text{ W}/\text{m}^2\text{K}$
- Total U-value =  $0.52 - 0.53 \text{ W}/\text{m}^2\text{K}$

# Technical Specifications

## Greenlite: made to measure

Greenlite is tailor-made according to specifications, ensuring a perfect fit to every structure. This makes Greenlite ideal for both newbuild and renovation projects!



## Dimensions throat size

		Flexible length					
in mm		600 mm - ≤ 1900 mm	≤2000	≤2100	≤2200	≤2300	≤2400
Flexible width	600						
	≤700						
	≤800						
	≤900						
	≤1000						
	≤1100						
	≤1200						
	≤1300						

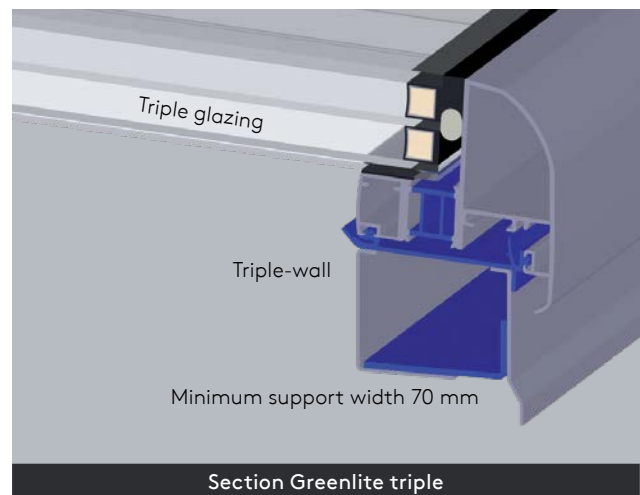
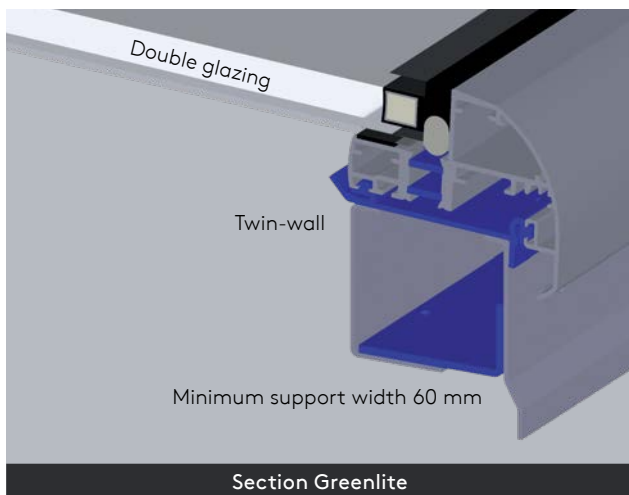
= Greenlite + Greenlite triple     
  = not available  
 = only available in triple model

Composition highly insulated safety glass <sup>\*)</sup>:

- **Greenlite model:**  
6 mm float - 15 mm Argon 90% - 3.3.2 laminated safety glass  
or 8 mm float - 13 mm Argon 90% - 3.3.2 laminated safety glass
- **Greenlite triple model:**  
6 mm float - 16 mm Argon 90% - 4 mm float - 16 mm Argon 90% - 3.3.2 laminated safety glass or  
8 mm float - 14 mm Argon 90% - 4 mm float - 14 mm Argon 90% - 4.4.2 laminated safety glass

<sup>\*)</sup> Glass composition depending on the span of the glass

## Sections



---

# Technical Specifications

---

---

## Large opening angle for maximum ventilation

A healthy interior climate requires the discharge of contaminated air, moisture and heat through well-balanced daily ventilation. With a large opening height of 300 mm the ventilated model of Greenlite provides a generous vent. This allows in plenty of fresh air and sunlight for a good indoor climate.

---

## Flexible flange size

Greenlite has a standard support width of 60 mm, (triple model = 70 mm). In case of a broader substructure, a flange adapter up to max. 200 mm is available. The result is a perfect fit each time, regardless of the substructure.

---

## Specifications

- Fixed or ventilated under an angle of 3°
- Structurally bonded highly insulated safety glass (LTA 77 / ZTA 54), triple model (LTA 63 / ZTA 36)
- Coating exterior RAL 7047 / interior RAL 9010
- Frame fitted with high-quality insulation material
- Invisible hinges

---

## Test results

- U value in accordance with EN 10077-2:
    - Greenlite = 0.97 – 1.02 W/m<sup>2</sup>K
    - Greenlite triple = 0.52 – 0.53 W/m<sup>2</sup>K
  - Air permeability: EN 1026: 600 Pa, EN 12207: Class 4
  - Water tightness: EN 1027: 1050 Pa, EN 12208: Class E1050
  - Resistance to varying wind loads: Class C5, 1000 Pa (= P2) deflection < 1/300 in accordance with EN 12210 / EN 12211
  - Acoustics: R<sub>w</sub> = 31 dB in accordance with EN ISO 10140-2
  - Impact resistance: 1200 J according to EN 1873:2006
- 

## Options

- Highly insulated solar control safety glass (LTA 58 / ZTA 34), triple model (LTA 54 / ZTA 31)
- Inner pane opal 3.3.2 (LTA 59 / ZTA 51), triple model (LTA 49 / ZTA 35)
- Flange adapter for flexible flange size and type
- Sun screen: windproof version (color cloth gray)
- Interior sun blind pleated (color cloth silver)
  - manual (stick with length 2 m)
  - motorised with remote control
- Anti-insect mesh
- Rain sensor
- Solar panel for solar power (M24V)
- Upstand PVCu 16/0
- Coated in any standard RAL colour

---

## INTERNATIONAL

**Kingspan Light + Air**

E: [kla.international@kingspan.com](mailto:kla.international@kingspan.com)

[www.kingspanlightandairinternational.com](http://www.kingspanlightandairinternational.com)

For the product offering in other markets please contact your local sales representative or visit [www.kingspanlightandair.com](http://www.kingspanlightandair.com)

Care has been taken to ensure that the contents of this publication are accurate, but Kingspan Limited and its subsidiary companies do not accept responsibility for errors or for information that is found to be misleading. Suggestions for, or description of, the end use or application of products or methods of working are for information only and Kingspan Limited and its subsidiaries accept no liability in respect thereof.