

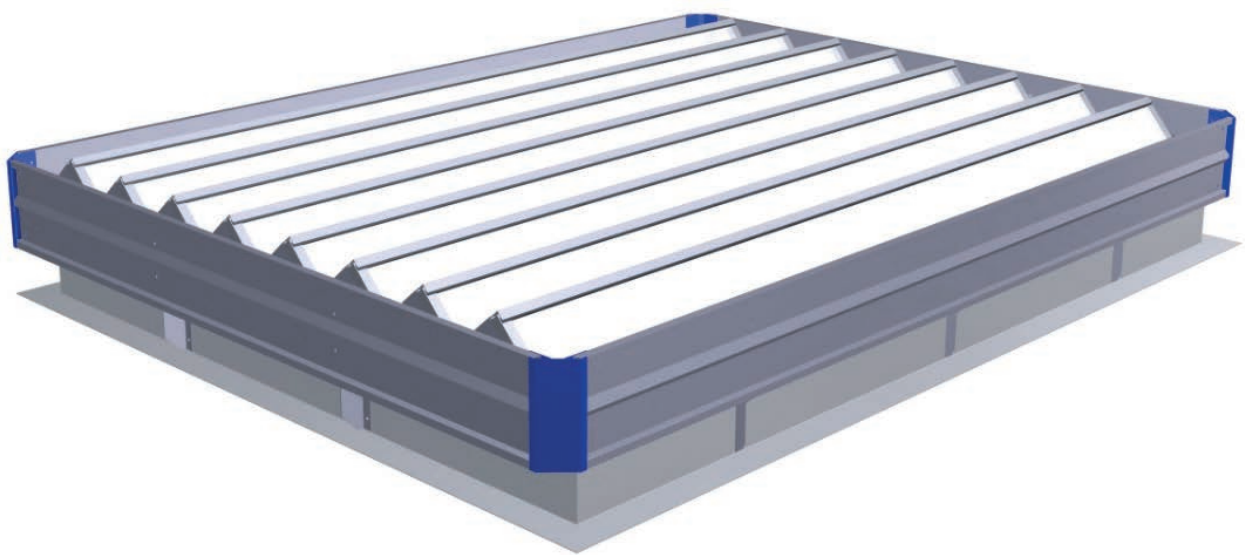


Kingspan Eura Excellent

Highly insulated louvred ventilator

Data Sheet

Suitable for daily ventilation as well as smoke & heat exhaust for roofs and facades



Daylighting Solutions
Natural Ventilation Solutions
Smoke Management Solutions
Service & Maintenance
Building Automation

Application

Kingspan Eura Excellent, with its enhanced insulation value, is based on the Eura louvred ventilator which has been used widely across numerous markets for many years. This ongoing development is done in the context of enhancing the thermal insulation values. Using new materials and techniques helps achieve a U-value improvement of up to 56%. Eura Excellent is perfectly capable of extracting large amounts of air and heat in a short time, and is suitable for both air supply (façade) and air extraction (façade and roof). The impact resistant, EN 12101-2 certified Eura Excellent can be supplied in two base versions with various high-insulating louvre types.

Area of application: for all buildings with primary high thermal insulation requirements.

Materials

Aluminium; tempered, sea water- and corrosion-resistant (EN AW 5754). Corrosion-resistant bearings. Seal incorporating a weather-resistant sealing strip longitudinally and energy strips. The seal is applied in such a manner that there is no risk of freezing. The aluminium is completely corrosion-resistant and is supplied untreated as standard. If desired the Eura Excellent can be supplied in an anodised or powder-coated design (in any RAL colour you require). Eura Excellent can also be designed to incorporate noisedamping wings and bird or insect mesh.



Enhancement of the thermal insulation value

Improvements to building regulations and stricter performance requirements with respect to the thermal U value of the building envelope mean that better performing products are increasingly specified. With Kingspan Eura Excellent, a U-value of up to 56% can be achieved with respect to the current generation of louvred ventilators.

	Type	Eura 20 mm insulated louvre	Eura Excellent 25 mm sandwich panel	U-value improvement
	U-values in W/m ² K			
LB = low base	60-5	2.95	2.52	+15%
	120-12	2.55	2.04	+20%
	240-17	2.35	1.80	+23%
GHB = insulated high base	60-5	1.68	1.41	+16%
	120-12	1.81	1.42	+22%
	240-17	1.89	1.43	+24%

	Type	Eura 8 mm Isolux louvre	Eura Excellent 25 mm Isolux louvre	U-value improvement
	U-values in W/m ² K			
LB = low base	60-5	3.69	2.66	+28%
	120-12	3.43	2.21	+36%
	240-17	3.29	1.98	+40%
GHB = insulated high base	60-5	2.14	1.50	+30%
	120-12	2.47	1.55	+37%
	240-17	2.68	1.58	+41%

	Type	Eura 4-6-3.3.2 insulation glass louvre	Eura Excellent 4 lowE - 13 Argon 90% - 3.3.2	U-value improvement
	U-values in W/m ² K			
LB = low base	60-5	3.67	2.27	+38%
	120-12	3.39	1.74	+49%
	240-17	3.25	1.48	+54%
GHB = insulated high base	60-5	2.12	1.25	+41%
	120-12	2.44	1.20	+51%
	240-17	2.64	1.16	+56%

Technical Specifications

Controls

Natural ventilation:

- P Single-action compressed air operation
- P2 Double-action compressed air operation
- M Motor operation (24 Vdc of 230 Vac)
- K Cable operation

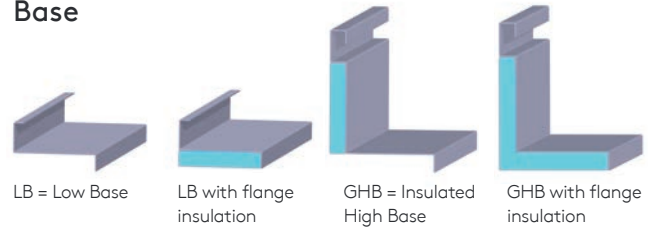
Fire ventilation according to EN 12101-2:

- PB Single-action compressed air operation with fire function
- P2B Double-action compressed air operation with fire function
- PB-FS Single-action compressed air operation with fire function failsafe (up to 13 louvres)
- PB-M Single-action compressed air operation with fire function and motor operation
- PB-10 bar Single-action compressed air operation with fire function activated at ≥ 10 bar
- M24V Motor operation 24V

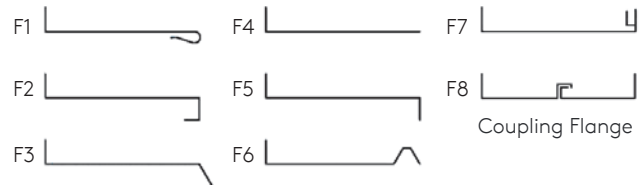
Regulations

The system has been tested and is certified in accordance with EN 12101-2.

Base



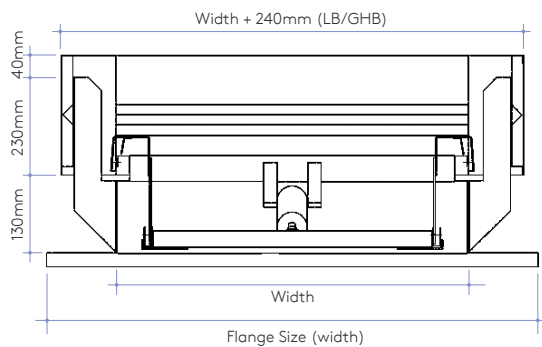
Flanges



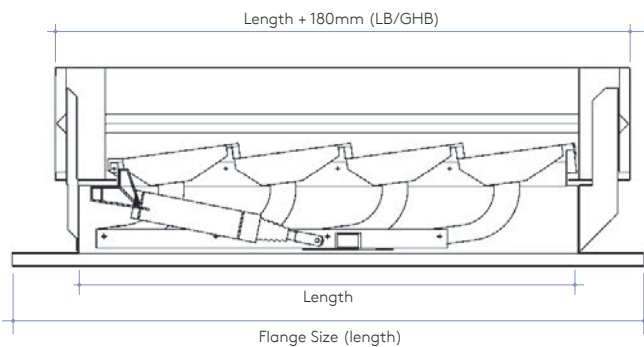
Louvre types



Cross Section



Longitudinal Section



Technical Specifications

Dimensions Ventilator (mm)

Type LB*/ GHB	Width (mm)	Number of louvres														
		3	4	5	6	7	8	9	10	11	12	13	14	15	16	17
		Length (mm)														
030	300															
060	600															
120	1200	720	940	1160	1380	1600	1820	2040	2260	2480	2700	2920	3140	3360	3580	3800
180	1800															
240	2400															

* LB 14 through 17 louvres for assessment: applicability depending on installation situation.
Intermediate width dimensions possible.

Aerodynamic Surface (m²)

Type		Number of louvres														
		3	4	5	6	7	8	9	10	11	12	13	14**	15**	16**	17**
030	LB*/GHB	0.14	0.18	0.22	0.26	0.30	0.34	0.39	0.43	0.47	0.51	0.55	0.59	0.64	0.68	0.72
060	LB*/GHB	0.27	0.36	0.44	0.52	0.60	0.69	0.77	0.85	0.94	1.02	1.10	1.19	1.27	1.35	1.46
120	LB*/GHB	0.54	0.71	0.88	1.04	1.21	1.38	1.54	1.71	1.90	2.07	2.24	2.41	2.58	2.75	2.92
180	LB*/GHB	0.82	1.07	1.32	1.56	1.81	2.06	2.35	2.60	2.86	3.11	3.36	3.62	3.87	4.12	4.45
240	LB*/GHB	1.09	1.42	1.75	2.09	2.42	2.80	3.13	3.47	3.81	4.15	4.49	4.90	5.24	5.58	5.93

Indicated C_v values at upstand height 350 mm.

** aerodynamic coefficient (C_v) 14 through 17 louvres based on extended wind baffle.

Weight per ventilator (kg)

Type	Number of louvres														
	3	4	5	6	7	8	9	10	11	12	13	14	15	16	17
030	10	12	14	16	18	20	22	24	26	28	30	32	34	36	38
060	19	23	27	30	33	36	39	42	45	48	51	54	57	60	63
120	28	33	38	42	47	51	56	60	65	69	74	78	82	86	90
180	36	42	48	54	60	66	72	78	84	90	96	102	108	114	120
240	45	52	59	66	73	80	87	94	101	108	115	122	129	136	143

Specified weights do not apply to versions with glass louvres.

Example type indication: Eura Excellent 180-10/GHB/M24V/F5 means: Eura Excellent louvred ventilator, width 1800 mm, length 2260 mm (10 louvres); an isolated high base; 24V motor operation, F5 flange.

Project imagery



INTERNATIONAL

Kingspan Light + Air

E: kla.international@kingspan.com

www.kingspanlightandairinternational.com

For the product offering in other markets please contact your local sales representative or visit www.kingspanlightandair.com

Care has been taken to ensure that the contents of this publication are accurate, but Kingspan Limited and its subsidiary companies do not accept responsibility for errors or for information that is found to be misleading. Suggestions for, or description of, the end use or application of products or methods of working are for information only and Kingspan Limited and its subsidiaries accept no liability in respect thereof.